
How to measure - Roman Blinds

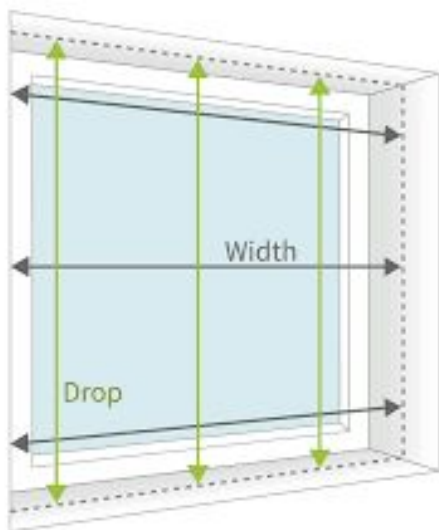
Things to Remember

- Use a steel tape measure for accuracy.
- Measure in centimeters and round each measurement to the nearest 0.1cm.
- Measure all windows, even those that appear to be the same width and height.
- When ordering always specify the width measurement first and then the height.
- Look out for any obstructions such as window handles, tiles, dado rails etc and take their position into account if necessary. This way you will be sure of a perfect fit for your blind.

Measuring for a Blind to Fit Inside the Window Recess (Recess Size)

This is the measurement you need to specify if you want your blind to fit inside the window recess. There is no need for you to make any adjustments as I will make the deductions for the blind to fit the recess perfectly.

- Measure the width of the window wall to wall (left to right) in 3 separate positions, as shown in the diagram. Note down the smallest measurement inside the recess.
- Measure the drop of the window (head to sill) in 3 separate positions, as shown in the diagram. Again, note down the smallest measurement.

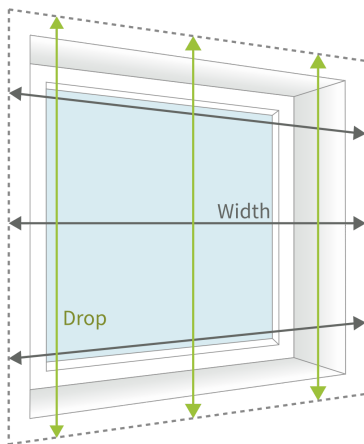


- Check your window recess is deep enough for the blind to fit inside – min 50mm.
- Make sure to consider any obstructions inside the recess such as handles.

Measuring for a Blind to Fit Outside the Window Recess (Exact Size)

This is the measurement you need to take if you want your blind to hang outside the window recess. We will make your blind exactly to these measurements.

- To measure for a blind intended to fit outside the window recess we recommend an overlap of 10cm to each edge as shown in the illustration.
- Measure as for a recess fit (above) and add 20cm to each measurement.
- If the window sill protrudes far enough to obstruct the blind, only add 10cm to the height (drop) and allow the blind to sit on the sill.



Top Tip for Blackout Blinds:

To ensure as little light seepage as possible around the edges of the blind, we recommend fitting blackout blinds outside the window recess wherever possible.

If the blind is trimmed with a bobble trim the finished size of the blind is to the bottom of the blind and then the bobble trim will be added on.

We love to help, so please feel free to email us an image of your window if you are still unsure - sales@thenurseryblindcompany.co.uk